

# WEMCO®

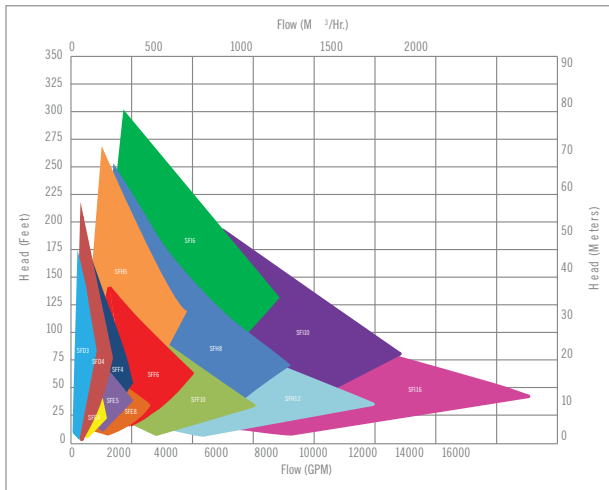
## SCREW-FLOW PUMP

---



## TRILLIUM FLOW TECHNOLOGIES® IS DEDICATED TO PROVIDING THE MOST ADVANCED PUMPING TECHNOLOGIES, ALWAYS STRIVING TO INCREASE PRODUCT PERFORMANCE, REDUCE COST AND IMPROVE LEAD TIME

The WEMCO® Screw-Flow pump is equipped with a proven single-vane screw-centrifugal impeller. The screw-centrifugal design provides clog-resistant pumping for trouble free movement of solids, and fibrous and stringy materials. The steep head-capacity curve produced by the impeller provides additional head to help push through any partial blockages.



### Features:

- High efficiency
- Low NPSH requirements
- Steep head/capacity curve
- Flushless tandem mechanical seals
- Adjustable liners
- Large solids passage
- Solids Passage: 2.5 - 7.38 in
- High-Chrome Iron impeller and liner
- ASTM A532 Class III Type A



### Applications:

- Sludges
- Raw and unscreened sewage
- Paper stock and wood chips
- Wet well cleanup
- Crystalline compounds
- Bacterial floc
- Easily damaged fruits and vegetables
- Coal

### Low NPSH:

The screw portion of the WEMCO® Screw-Flow impeller performs as an inducer, pulling liquid into the impeller, resulting in low NPSH requirements.

### Solids Handling:

The single-vane impeller of the WEMCO® Screw-Flow pump creates a single-channel flow, allowing for larger solids passage. The large solids passage provides better solids handling capabilities than any other pump type. The steep head-capacity curve provides ample reserve pressure to clear temporary clogs.

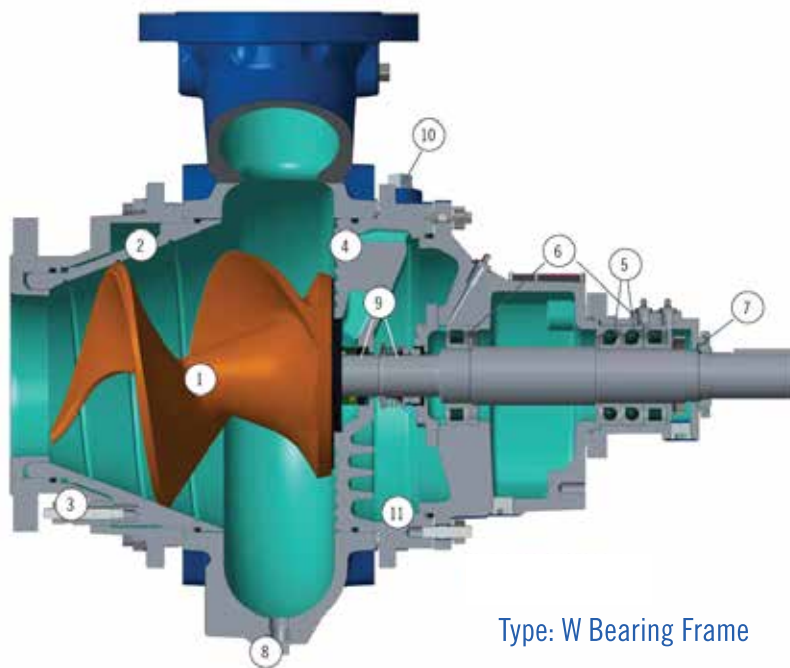
### Sludge Handling | Positive Suction:

The combination of a low NPSH requirement and large solids channels provides a powerful pump for handling thick sludges. The steep head-capacity curve of the WEMCO® Screw-Flow pump also allows for pumping of varying sludge consistencies without the need to change speed. An additional benefit is the reserved head for clearing temporary line blockages.

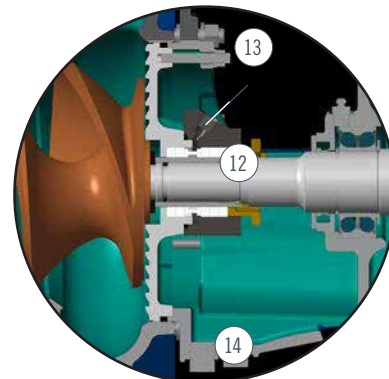
### Adjustable Liner

Consistent impeller-to-liner clearance is imperative to the performance of the pump. As the pump components wear, clearance between the impeller and liner can be adjusted to ensure optimal performance.

# WEMCO SCREW-FLOW PUMP | BEARING FRAMES



Type: W Bearing Frame



Type: S/SM Bearing Frame

- ① HCl screw-flow impeller
- ② Adjustable, HCl, grooved liner
- ③ Regulator nuts
- ④ Pump-out grooves
- ⑤ Thrust bearings
- ⑥ Radial bearings
- ⑦ Labyrinth bearing seal
- ⑧ Case vent and drain
- ⑨ Flushless tandem mechanical seals
- ⑩ Optional impeller flush port
- ⑪ Oil bath
- ⑫ Packing (mechanical seals optional)
- ⑬ Flush port
- ⑭ Scupper drain

## Bearing Frame Features

- 50,000 hour bearing life
- 1045 steel shaft
- Belt drive
- Direct connect
- Greased bearings

## Configurations

- Horizontal
- Vertical
- Submersible & Immersible
- Pre-rotation



## Type: W Features

- Tandem mechanical seal
- Oil bath
- Flush-less
- AES seals

## Type: S Features

- Packing
- SS 420 shaft sleeve
- Flush required

## Type: SM Features

- Customer specified mechanical seal
- Multiple seal options



## Trillium Pumps USA, Inc.

2495 S. Golden State Avenue  
Fresno, CA 93706 USA  
P: +1 559 442 4000  
F: +1 559 442 3098

[TRILLIUMFLOW.COM](https://trilliumflow.com)